

80mA Single channel LED Driver

Features

- Up to 80mA single channel constant current regulator
- 1.6V ~ 18V wide supply voltage range supports self-power structure in lighting application
- Current set by an external resistor
- Minimized 0.6V (80mA) dropout voltage
- Fast current rising and falling
- Built in 15V Zener diode for bias and high voltage protection
- Less than $\pm 5\%$ Chip to Chip current skew
- Less than $\pm 0.5\%/V$ load (or line) regulation
- $125^{\circ}\text{C} \sim 160^{\circ}\text{C}$ junction temperature current ramp down thermal protect
- $-40^{\circ}\text{C} \sim 85^{\circ}\text{C}$ ambient operating temperature
- Cascade-able for higher voltage drop applications

Product Description

NU502 is a small/medium power linear current regulation component that can be easily used in various LED lighting applications. It is equipped the excellent feature of good load/line regulation capability, minimized chip current skew, stable output current in high power or load voltage fluctuating environment that can be used in wide area of LED lighting source to maintain the uniformity of light intensity.

Except for the power supply function, the VDD pin of NU502 is output enable (OE), and can be used in digital PWM controlled circuits for more precise current adjustment in gray level applications.

A special cascade mode is also provided by NU502. In high power supply voltage and low LED load dropout voltage application, two or more NU502 can be connected in series to share redundant high voltage. With the exclusive voltage sharing technology of NUMEN tech., the extra redundant voltage that exceeds the preset threshold voltage (Viboost) can be shared by next NU502.

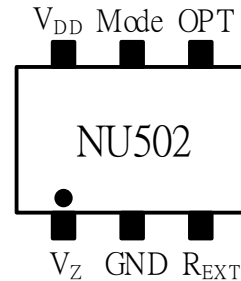
With the feature of wide power supply range design and ultra low I_{DD} consumption, the NU502 supports the self powered structure in LED lighting applications. In this structure, the NU502 no need to be provided a dedicate power circuit even the system power voltage is much higher than the maximum operation voltage of NU502. The V_{DD} power can be gotten from the proper position in LED series of system.

Applications

- General LED lighting
- Decoration lighting for architecture
- LED torch / flash light
- RGB lighting
- RGB display / indicator

Package Type

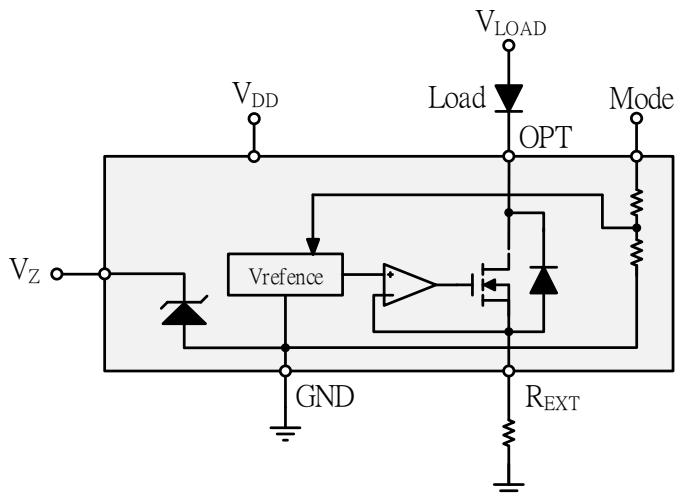
- SOT 23-6 (80mA)
(Part No.: NU502ST)



Terminal Description

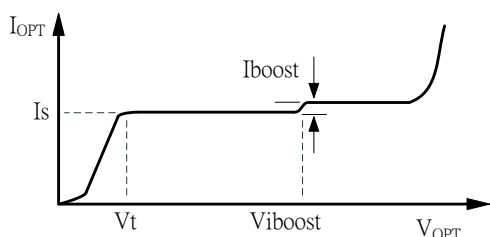
Pin name	Function
V _Z	Zener Diode
GND	Ground
R _{EXT}	Current setting Resistor
OPT	Current sink
Mode	Cascade / Normal mode selection
V _{DD}	Power supply

Block Diagram

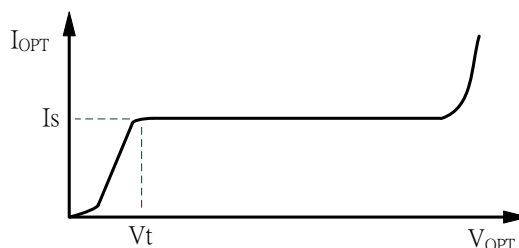


Ideal IV characteristic

$V_{MODE} = V_{OPT}$ (cascade mode)



$V_{MODE} = GND$ or Floating



Mode	Mode Pin	Current boost	Leakage (Max.)
Cascade mode	$V_{MODE} = V_{OPT}$	+5%~+11% * I_{OPT}	55uA
Normal mode	$V_{MODE} = GND / Floating$	-	0.5uA

Maximum Ratings (T = 25°C)

Characteristic	Symbol	Rating	Unit
Supply voltage	V_{DD}	0 ~ 20	V
Input voltage	V_{MODE}	-0.2 ~ V_{DD}	V
	V_Z	-0.2 ~ 18	V
Output voltage(Output enable)	V_{OPT_Enable}	-0.2 ~ 16	V
Output voltage(Output disable)	$V_{OPT_Disable}$	-0.2 ~ 20	V
Output current	I_{OPT}	120	mA
Power Dissipation (Ta=25°C)	PD	0.4	W
Thermal Resistance (On PCB, Ta=25°C)	$R_{TH(j-a)}$	300	°C /W
Operating temperature	T_{OPR}	-40~+85	°C
Storage temperature	T_{STG}	-55~+150	°C

Electrical Characteristics and Recommended Operating Conditions

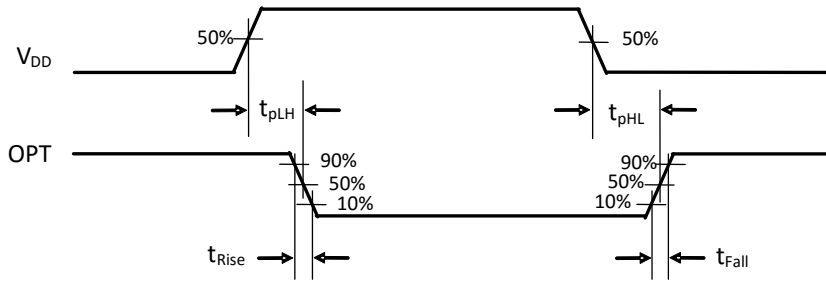
Characteristic	Symbol	Condition	Min.	Typ.	Max.	Unit	
Supply voltage	V _{DD}	Room Temp. V _{OPT} = 1V	1.6	-	18	V	
Supply voltage rising and falling speed *1	V _{DDspd}	V _{DD} ≤ 5V	0.05	-	-	uS	
		V _{DD} > 5V	5	-	-		
Output voltage	V _{OPT_Enable}	V _{DD} > 1.6V, P _D ≤ P _{D_recomd}	-	-	15	V	
	V _{OPT_Disable}	V _{DD} < 0.8V	-	-	18	V	
Supply current	I _{DD}	V _{DD} ≤ 18V	-	75	100	uA	
Minimum dropout voltage	V _{OUT}	V _{DD} ≥ 3V	I _S ≤ 20mA	-	0.3	-	V
			I _S ≤ 80mA	-	0.6	-	
Output current	I _{OPT}	V _{DD} ≥ 3V	-	-	80	mA	
Current set voltage	V _{REXT}	V _{DD} > 1.6V, Room Temp.	152	160	168	mV	
Leakage	I _{Leakage}	V _{DD} = 0V, V _{OPT} = 15V	V _{MODE} = V _{OPT}	-	45	55	uA
			V _{MODE} = GND	-	-	0.5	
Zener break down voltage	V _Z	Room Temp.	-	15	-	V	
Zener current	I _Z		-	-	20	mA	
Line regulation	%/V _{DD}	13V > V _{DD} > 3V	-	-	±0.5	%/V	
Load regulation	%/V _P	15V > V _{OPT} > 0.4V, V _{MODE} = GND	-	-	±0.5	%/V	
Thermal regulation	%/10°C	V _{DD} = 3V, V _{OPT} = 1V, Temperature < 125°C	-1	-	0	%/10°C	
Output ramp down temperature	T1	Output enabled	-	125	-	°C	
Shutdown temperature	T2	I _{OPT} = 0	-	160	-		
Current boost voltage	V _{iboost}	V _{MODE} = V _{OPT}	11	-	13	V	
Current boost	I _{boost}	V _{MODE} = V _{OPT} , V _{OPT} varies from 11V to 13V	5	7	11	% * I _{OPT}	
Chip current skew	I _{Skew}	V _{DD} = 3V, V _{OPT} = 1V	-	2	5	%	
Power Dissipation	P _{D_recomd}	Room Temp.	-	-	0.25	W	

*1 For the stable reason, the rising and falling speed of supply voltage (V_{DD}) on NU502 should be slower when higher V_{DD} than 5V is adopted. Fast and high V_{DD} transition will bring the timing of output current instable. Please refer to typical application circuit in this specification for proper using.

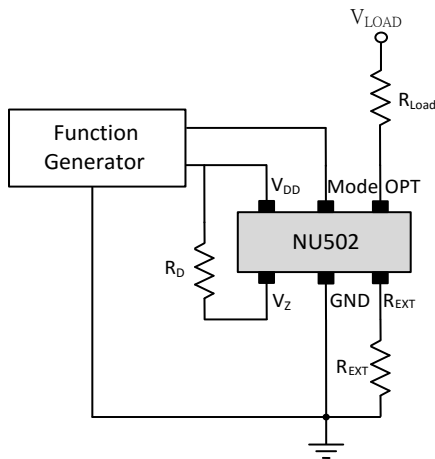
Switching Characteristics (T = 25°C)

Characteristic	Symbol	Condition	Min.	Typ.	Max.	Unit
Propagation Delay Time V _{DD} from "L" to "H"	t _{pLH}	V _{OPT} = 1V, V _{DD} = 0V → 3V		0.5	1	uS
Output current rising time	t _{Rise}	V _{OPT} = 1V, V _{DD} = 0V → 3V		0.8	1.5	uS
Propagation Delay Time V _{DD} from "H" to "L"	t _{pHL}	V _{OPT} = 1V, V _{DD} = 3V → 0V		30	100	nS
Output current falling time	t _{Fall}	V _{OPT} = 1V, V _{DD} = 3V → 0V		100	300	nS

Timing Waveform



Test Circuit



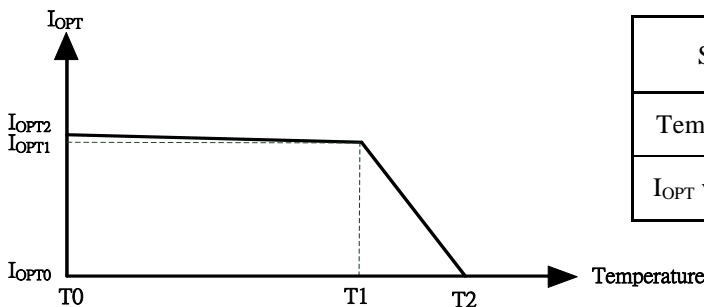
Output Current Setting

The output current of NU502 is set by an external resistor (R_{EXT}). The output current can be figured out by following equation.

$$I_{OPT} \cong \frac{0.16V}{R_{EXT} + 0.14\Omega}$$

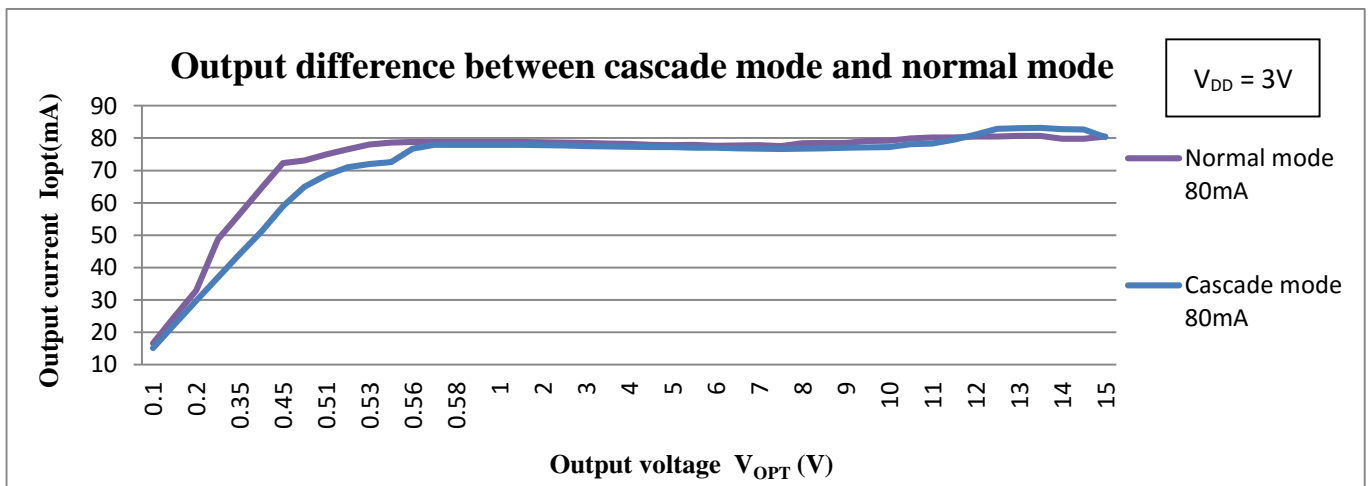
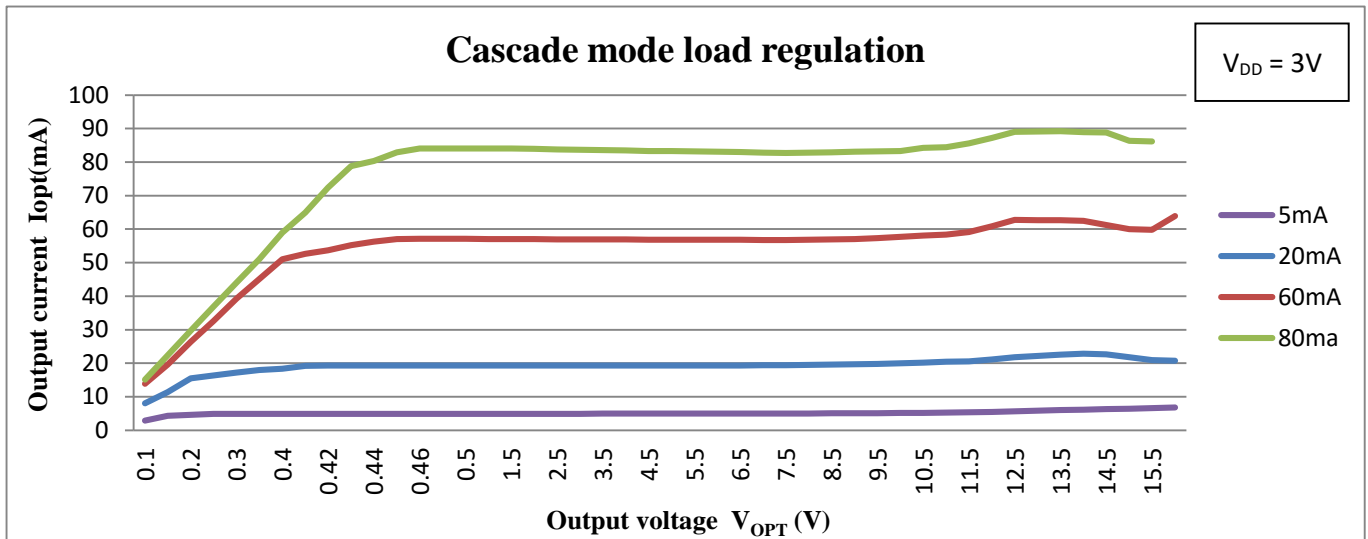
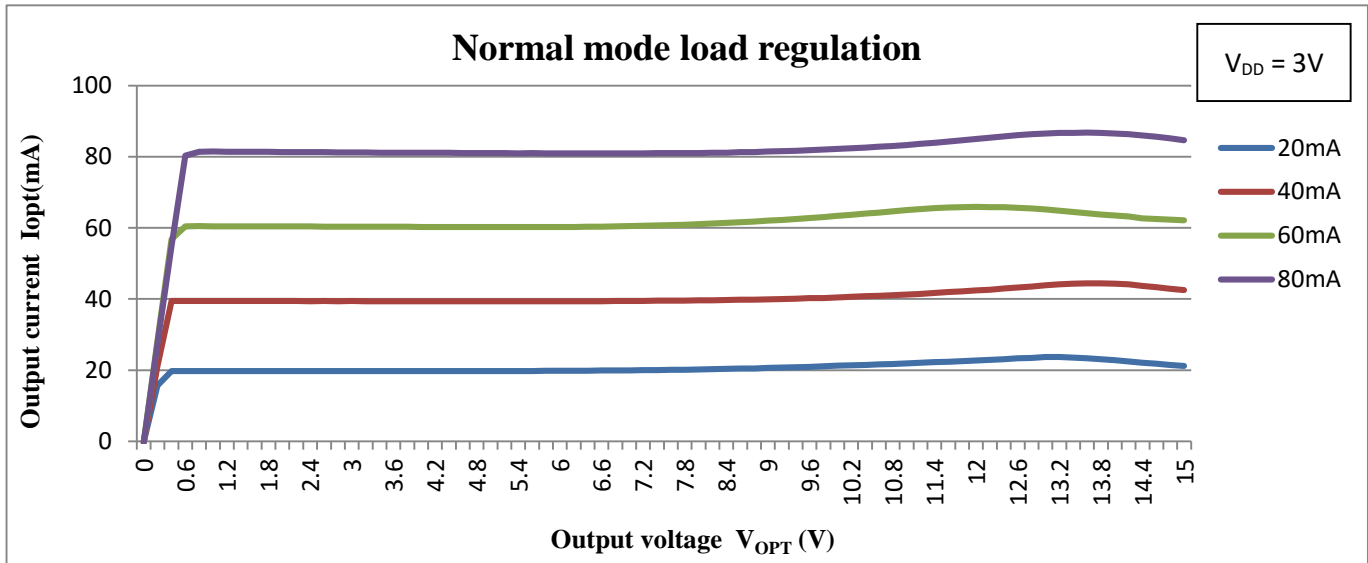
Thermal protection

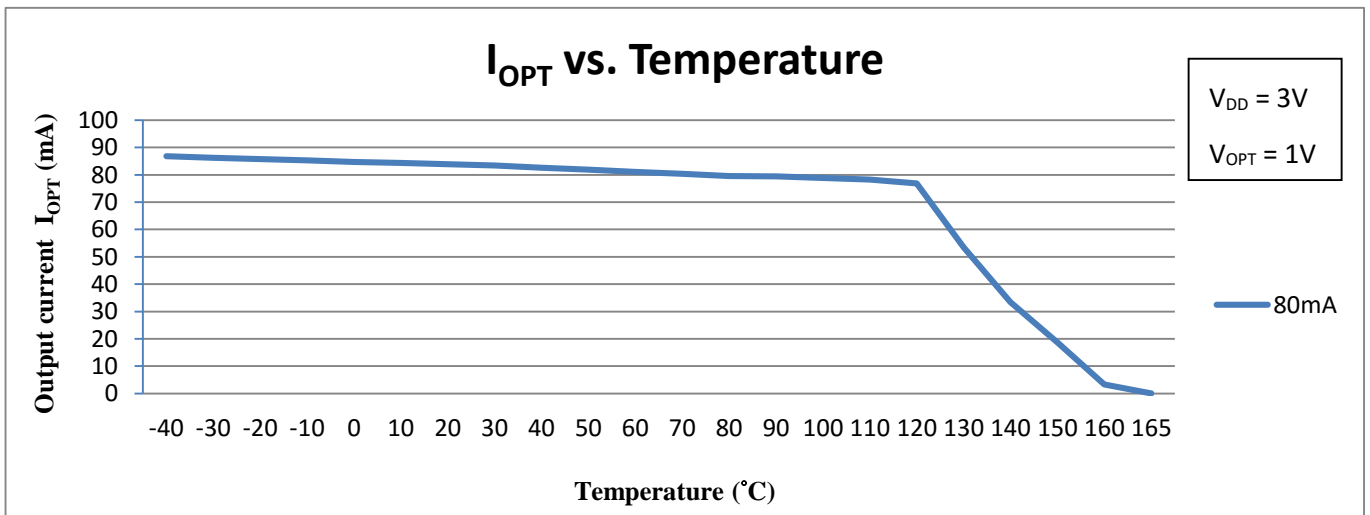
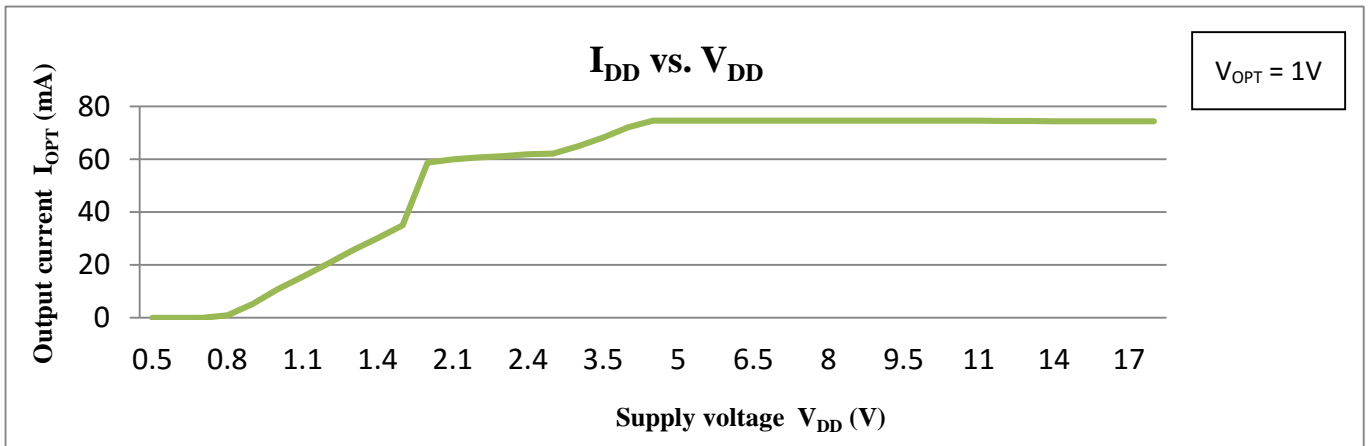
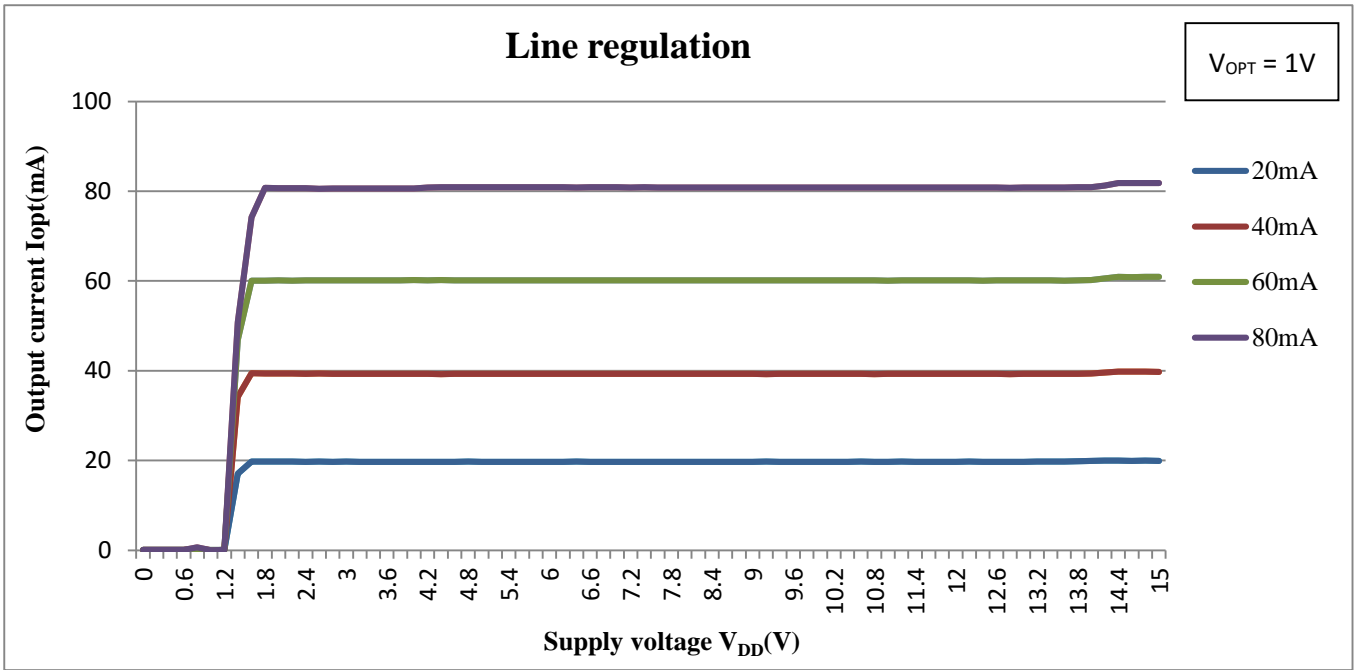
When junction temperature is more than thermal protection temperature ($\sim 125^{\circ}\text{C}$), the output current of NU502 will start to decrease to lower down the power dissipation on chip. If the junction temperature reach 160°C , the output current will almost shut down. The output current will restore in the same way when the temperature decrease.



State	Normal (T0 ↔ T1)	Thermal protect (T1 ↔ T2)	Unit
Temperature	-40 ↔ 125	125 ↔ 160	°C
I_{OPT} variation	-0.8	-28	%/10°C

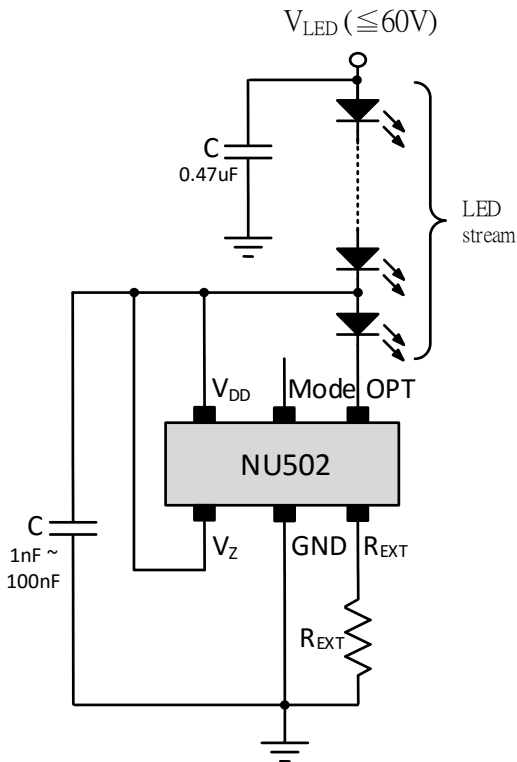
Output I/V Curve



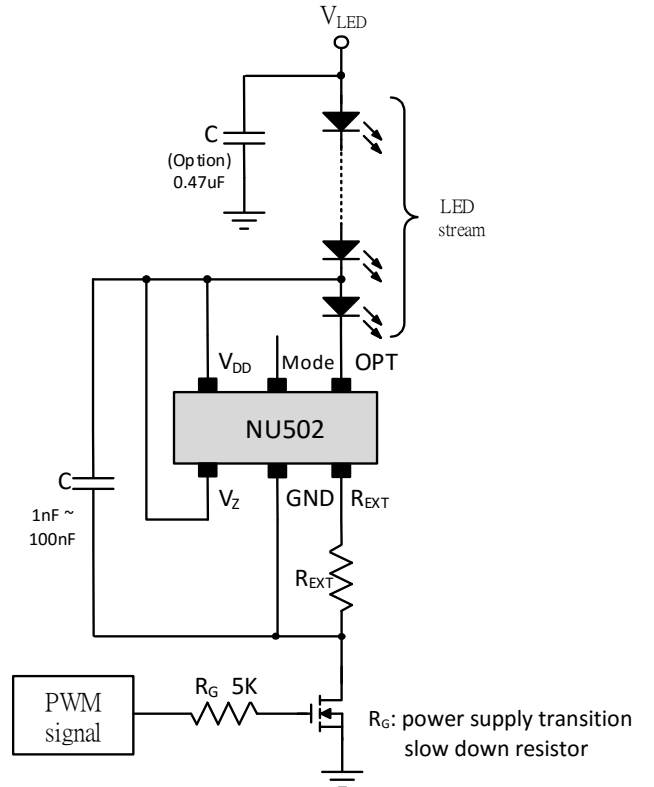


Typical Application Circuit

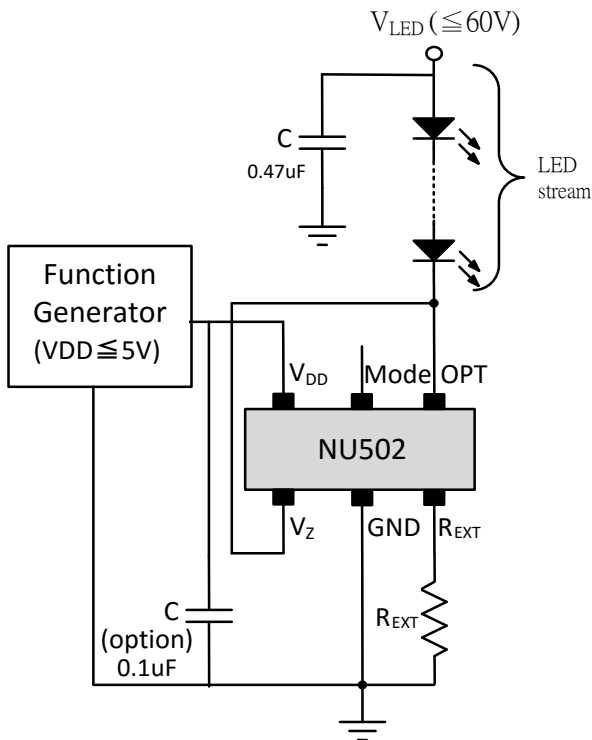
- DC power general lighting



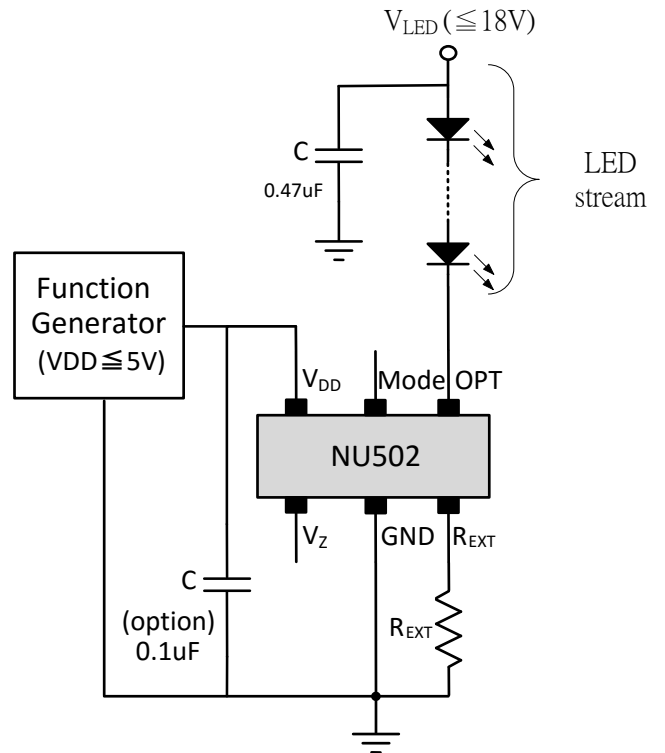
- DC power dimming application



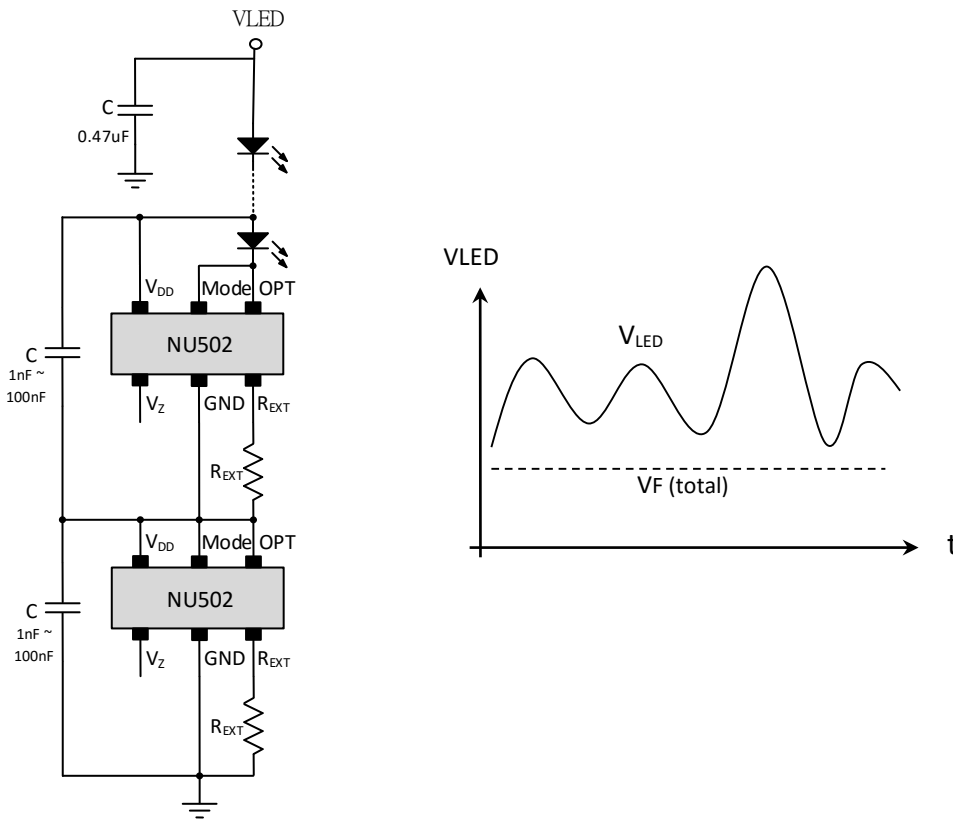
- DC PWM dimming application



- DC PWM dimming application (No leakage current)



- Cascade application



By cascade mode, two or more NU502 in series can absorb higher voltage variation in lighting system. Each NU502 can share about 12 volts redundant. The total voltage variation range that system can work is calculated by following equation.

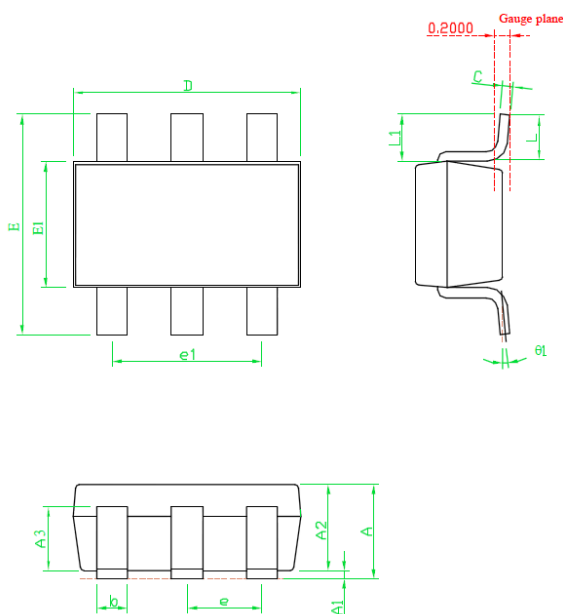
$$V_{LED(max)} \doteq 12 * N_{(NU502)} + VF_{(total)}$$

Where $V_{LED(max)}$ is the system power voltage, $N_{(NU502)}$ is the number of NU502 and $VF_{(total)}$ is the total forward voltage of all LEDs.

Note: Generally, The capacitance of V_{DD} capacitor when self-power structure is used is about the same as LED typical current. For example, if the typical current of LED is 20mA, the capacitance is about 20nF. The capacitance can be adjusted according to the requirement of real applications.

Package Dimensions

- SOT 23-6



SYMBOLS	DIMENSIONS IN MILLIMETERS		
	MIN	NOM	MAX
A	1.00	1.10	1.40
A1	0.00	---	0.10
A2	1.00	1.10	1.30
A3	0.70	0.80	0.90
b	0.35	0.40	0.50
C	0.10	0.15	0.25
D	2.70	2.90	3.10
E1	1.40	1.60	1.80
e1	---	1.90(TYP)	---
E	2.60	2.80	3.00
L	0.37	---	---
θ1	1°	5°	9°
e	---	0.95(TYP)	---
L1	0.5	0.6	0.7

Restrictions on product use

- NUMEN Tech. reserves the right to update these specifications in the future.
- The information contained herein is subject to change without notice.
- NUMEN Technology will continually working to improve the quality and reliability of its products. Nevertheless, semiconductor device in general can malfunction or fail due to their inherent electrical sensitivity and vulnerability to physical stress. It is the responsibility of the buyer, when utilizing NUMEN products, to comply with the standards of safety in making a safe design for the entire system, and to avoid situations in which a malfunction or failure of such NUMEN products could cause loss of human life, bodily injury or damage to property. In developing your designs, please ensure that NUMEN products are used within specified operating ranges as set forth in the most recent NUMEN products specifications.
- The NUMEN products listed in this document are intended for usage in general electronics applications (lighting system, personal equipment, office equipment, measuring equipment, industrial robotics, domestic appliances, etc.). These NUMEN products are neither intended nor warranted for usage in equipment that requires extraordinarily high quality and/or reliability or a malfunction or failure of which may cause loss of human life or bodily injury (“Unintended Usage”). Unintended Usage include atomic energy control instruments, airplane or spaceship instruments, transportation instruments, traffic signal instruments, combustion control instruments, medical instruments, all types of safety devices, etc.. Unintended Usage of NUMEN products listed in this document shall be made at the customer’s own risk.